

Contradanza.co.uk

A restoration project - Vivacity 20

Drawn by Chris Dowie, 15-05-11

Copyright © 2011

Wood Rubrail Detail
Options: American White Oak (preferred)
Meranti, Mahogany, Teak

starting stock: 45mm x 20mm

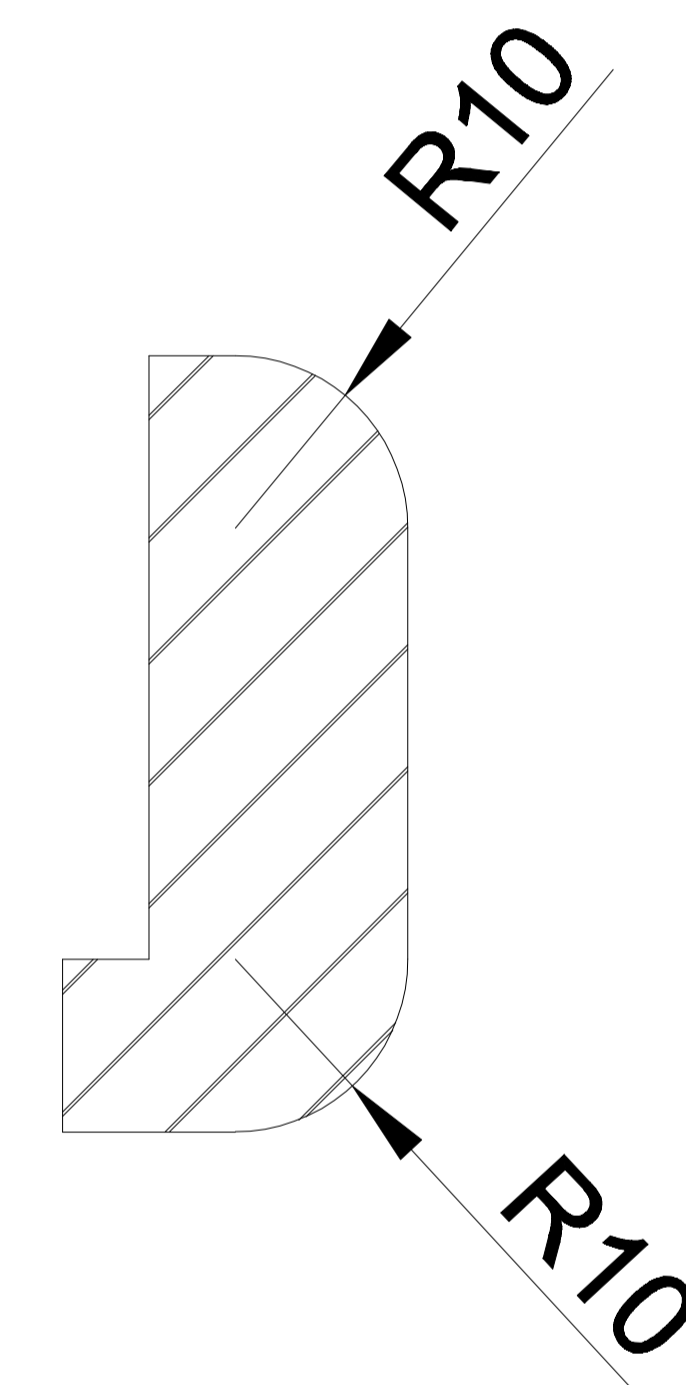
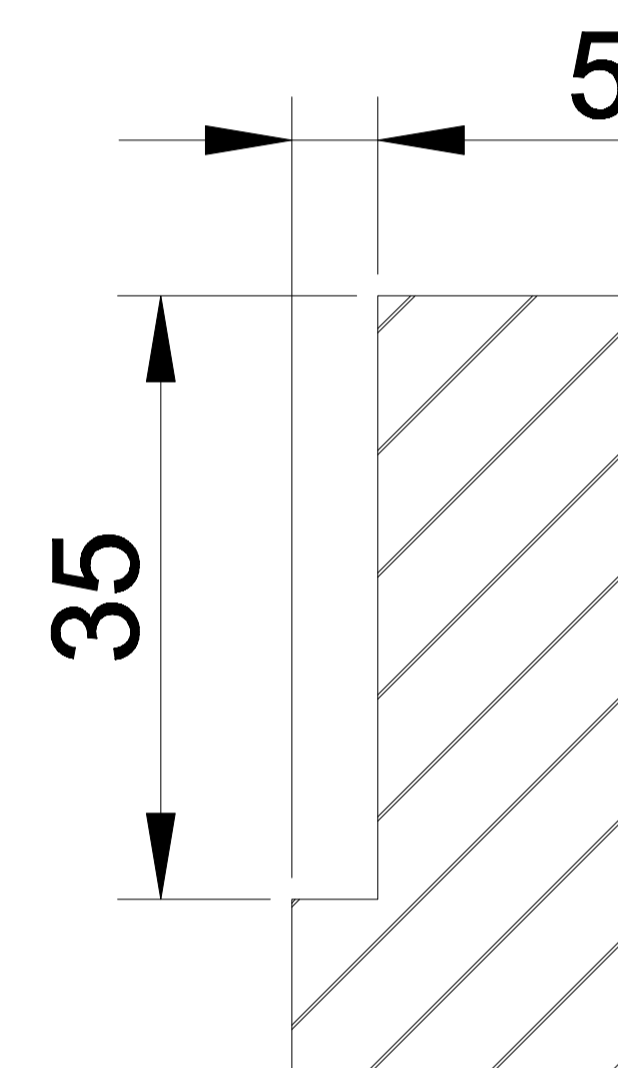
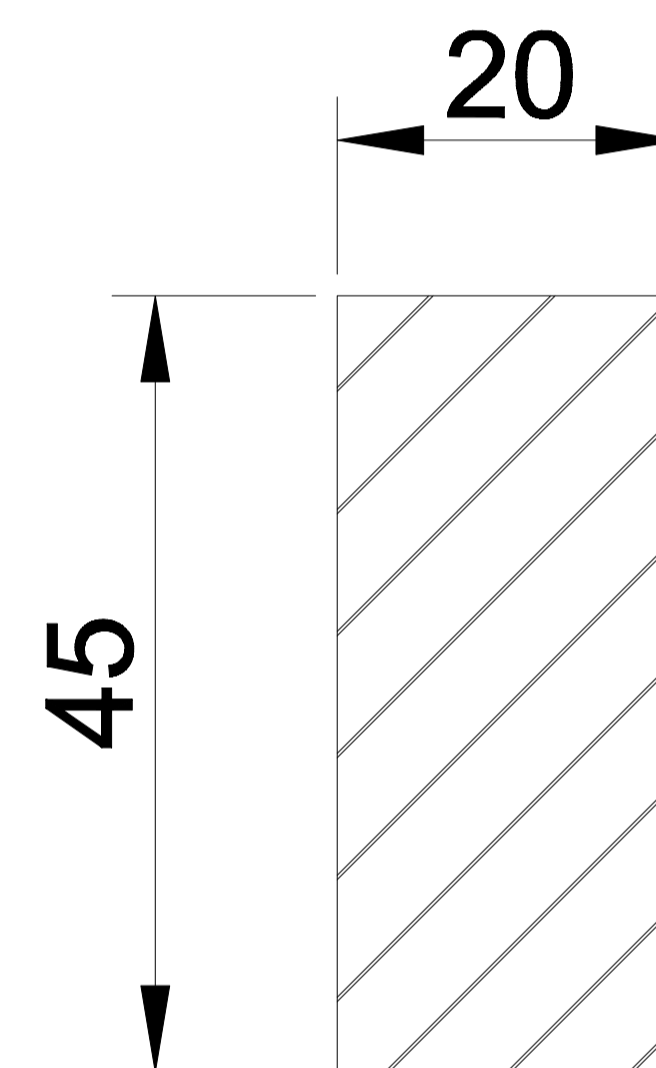
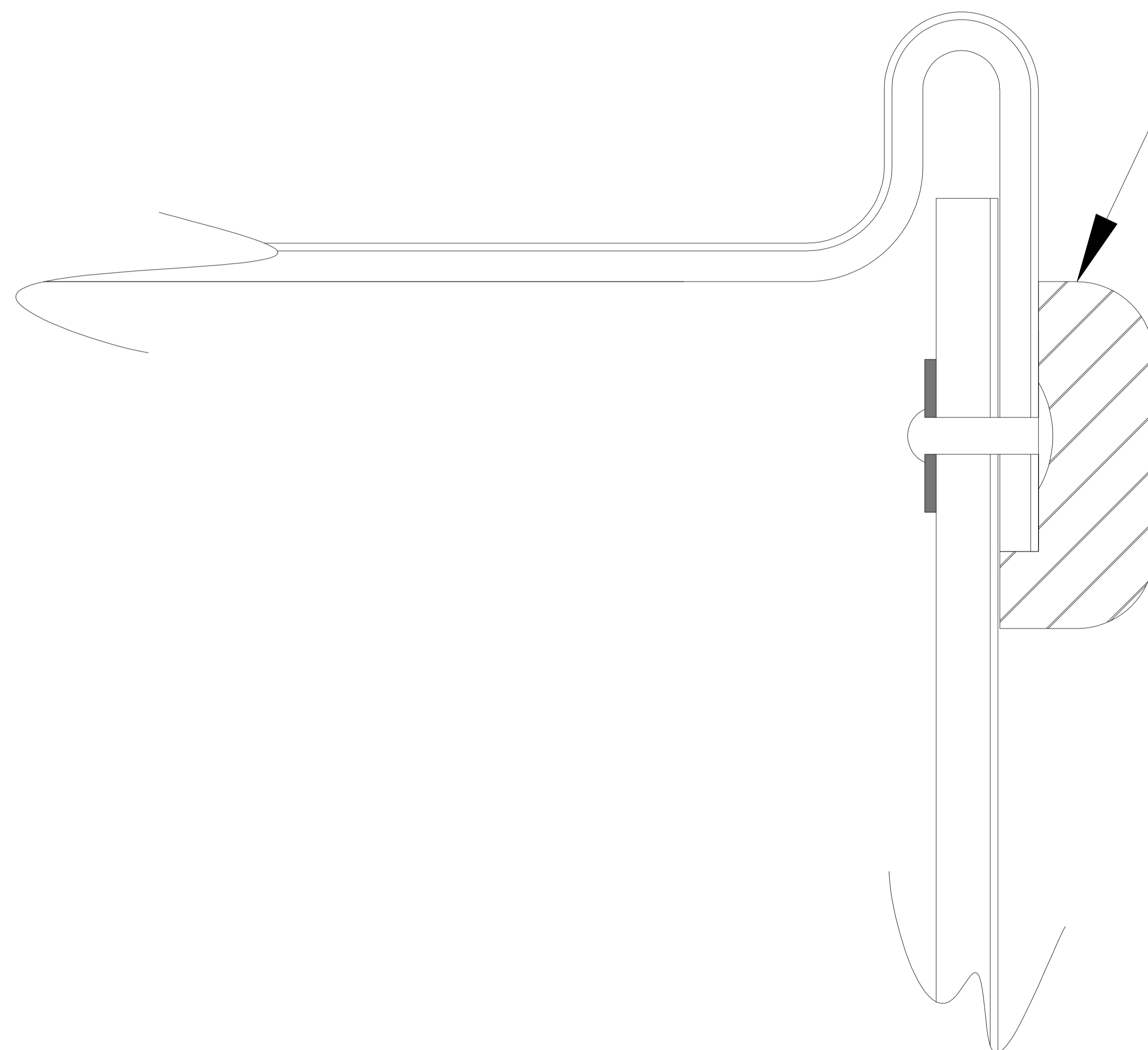
<http://www.cordiners-timber.com/>

Sinclair Road, Aberdeen,

AB11 9PJ, Scotland, UK

Tel: +44 (0)1224 877341

Fax: +44 (0)1224 877489



Rub Rail Detail

All bonding areas to be suitably abraded

All bonding areas to be acetone wiped

Sikaflex 291, 3M 5200 or similar bonding to be used

SS A4 suitable fastener to be used at regular intervals